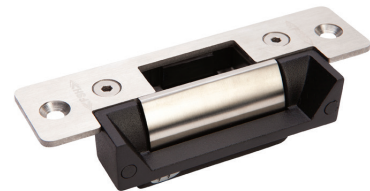




FES10 Series

Electric strikes



The ANSI footprint FES10 Series Electric Strikes are designed for light commercial and residential applications. They accept voltages of either 12 or 24VDC, are fire tested up to a 4 hour fire resistance rating.

The strikes are easily site-interchangeable Power To Lock (PTL) or Power To Release (PTR) by simply changing over the Barbell mechanism. The device is pre-drilled to cater for extension lips, come with a 5 year warranty and have a holding strength of up to 1300kg. The FES10M version comes with Door Status Sensor (door latch monitoring). The FES10 version is weather resistant IP56 rated.

Features

- Stainless steel faceplate and keeper
- Patented Barbell mechanism for simple change of locking function
- Low power consumption
- Compatible with door latch depth of up to 15mm
- Weather resistant IP56 (FES10 non-monitored only)
- 12 or 24 VDC operation
- Pre-drilled for extension lips

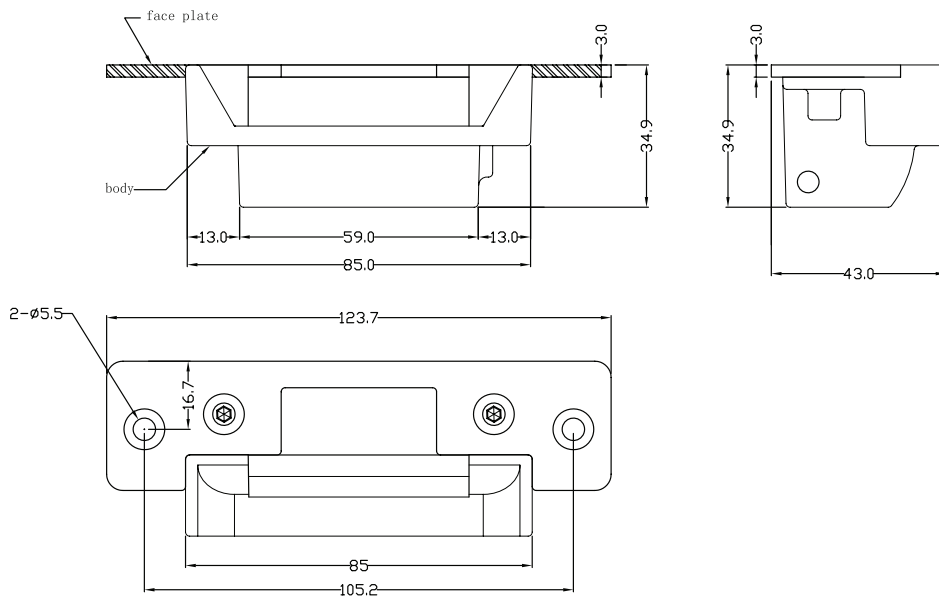


Warranties	
Mechanical	5 years
Finish	allegion.co.nz/finisheswarranty
Electronic	1 year

Technical specifications

Model	FES10M	FES10
Function	Mortice mount, power to lock/power to release site interchangeable. Input voltage: 12/24VDC	
Holding strength	Up to 1300kg	
Volatage / Current	Dual voltage 12VDC/200mA 24VDC/100mA	
Approvals	2-hour fire rated	
Monitoring	Door latch monitoring	Non-monitored
Dimensions	125mm (L) x 42mm (W) x 35mm (D)	
IP Rating	N/A	Weather resistant IP56

Mounting details



Testing and Compliance



Fire:
Tested to 4 hours on fire door assemblies as specified in AS/NZ
1905.1 – 1997 Part 1 Fire Resistant Doorsets